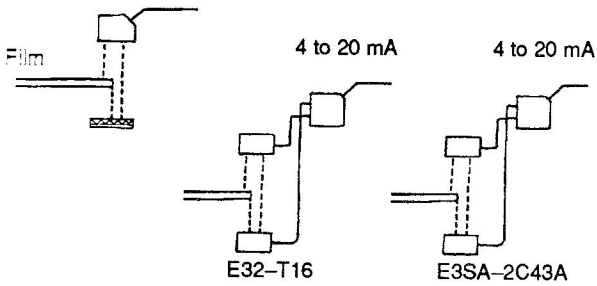


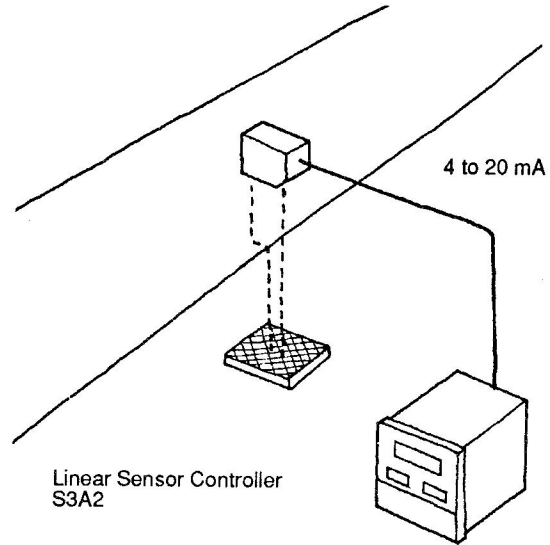
17 (Transparent) Film Edge Detection

Detects the change of analog output (4 to 24 mA) at the film edge.



If half-transparent a E3XA-CC4A/E32-T16 or E3SA-2C43A may be used instead of the E3SA-RS50C43A

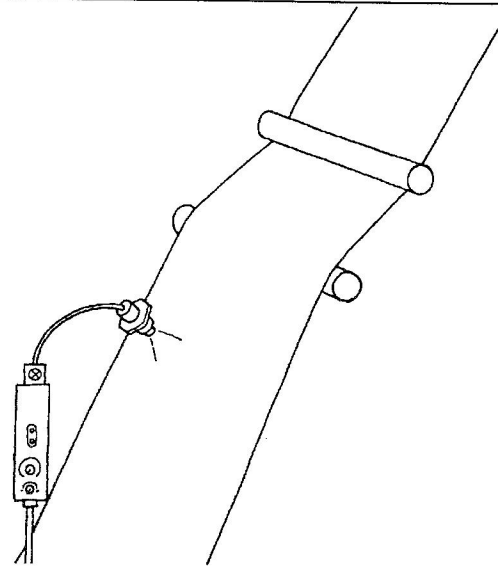
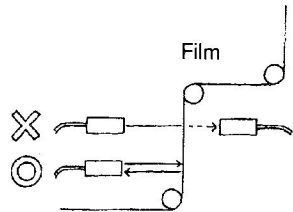
Analog Photoelectric Sensor
E3SA-RS50C43A
Linear Sensor Controller S3A2



18 Transparent Film Presence Detection (no space for reflective plate attachment)

Detection is where the film is taut and within 2 cm of the surface. Uses a fiber sensor to fit in narrow spaces.

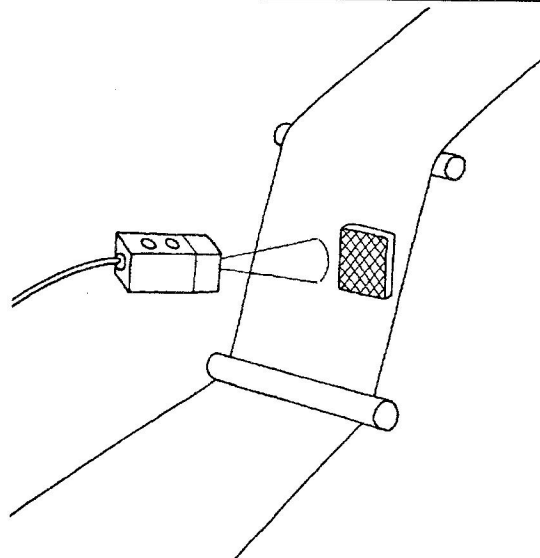
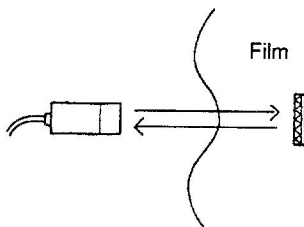
The reflective type can detect transparent film, which the transmission type cannot detect because of no light interruption. Non-transparent film can be detected if the reflection ratio is high.



Fiber Optic Photoelectric Switch
E3XR-CE4 (Amp)
E32-CC200 (Fiber Unit)

19 Transparent Film Detection (1)

Because it is a MSR feedback reflective sensor, stable detection is possible even if there is some flutter.



Since the MSR optical method is used transparent film can be detected easily.

MSR Feedback Reflective Sensor